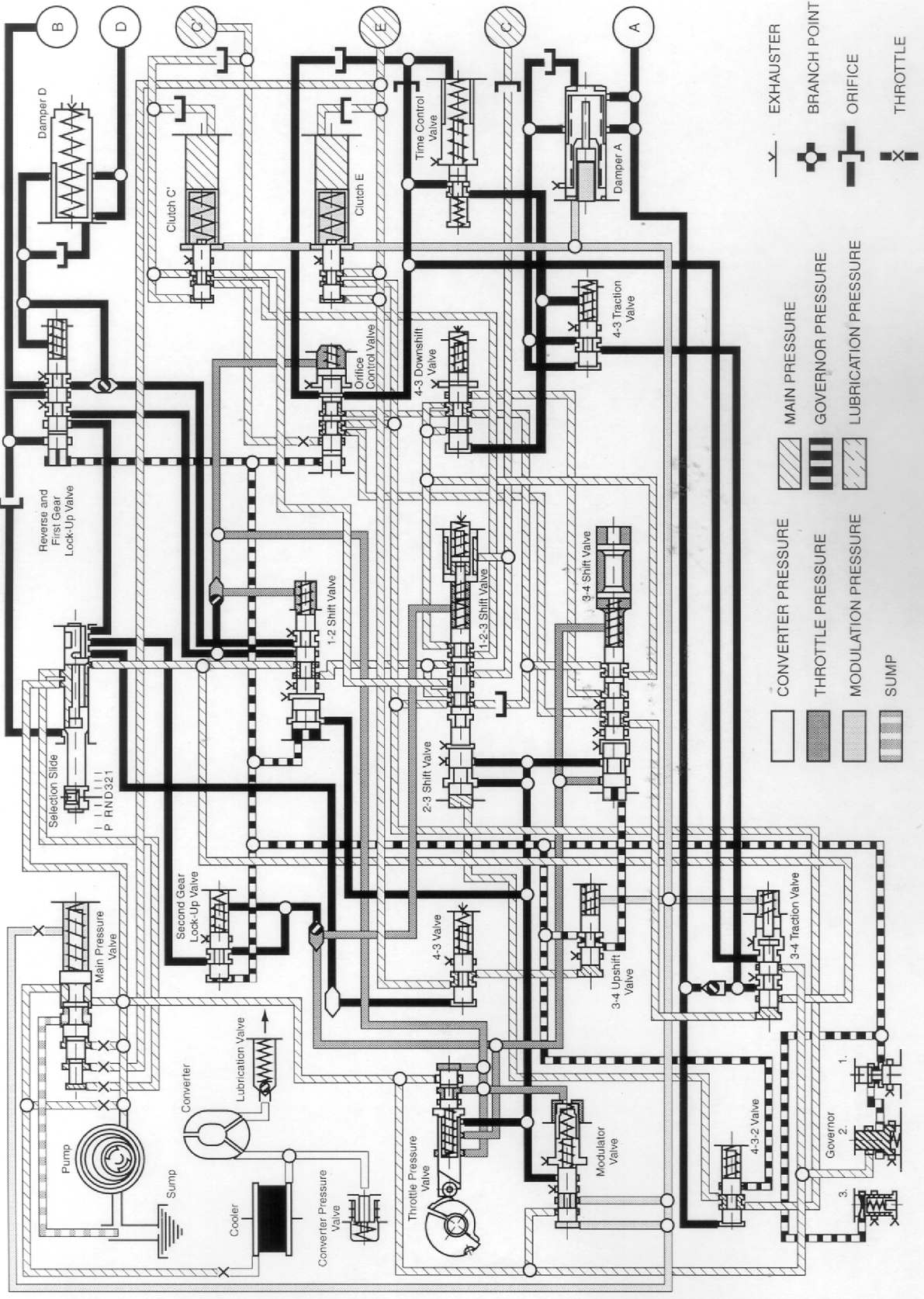


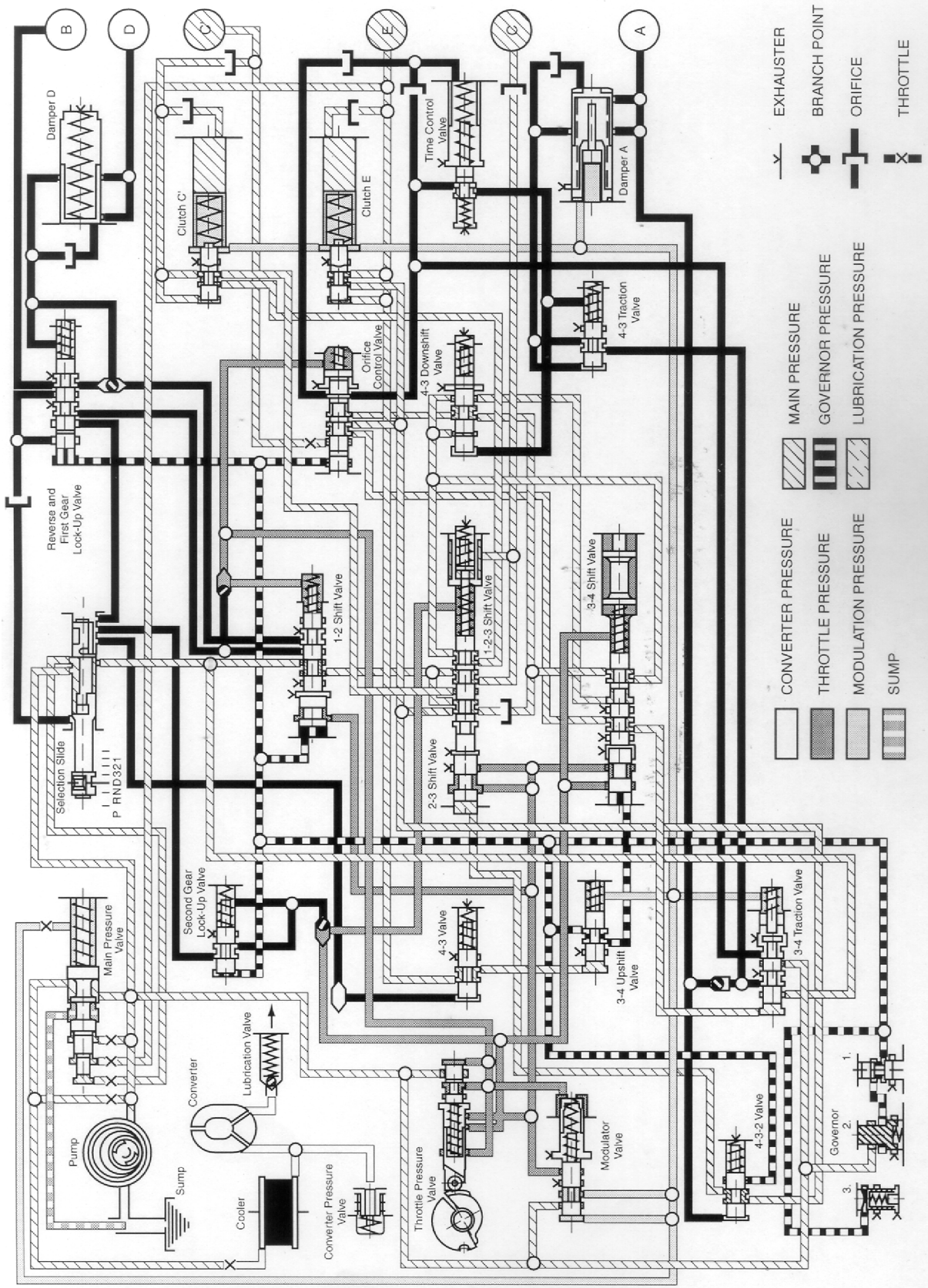
**POSITION D - FOURTH GEAR, FULLY ACCELERATED**



	EXHAUSTER		MAIN PRESSURE
	BRANCH POINT		GOVERNOR PRESSURE
	ORIFICE		LUBRICATION PRESSURE
	THROTTLE		CONVERTER PRESSURE
			THROTTLE PRESSURE
			MODULATION PRESSURE
			SUMP

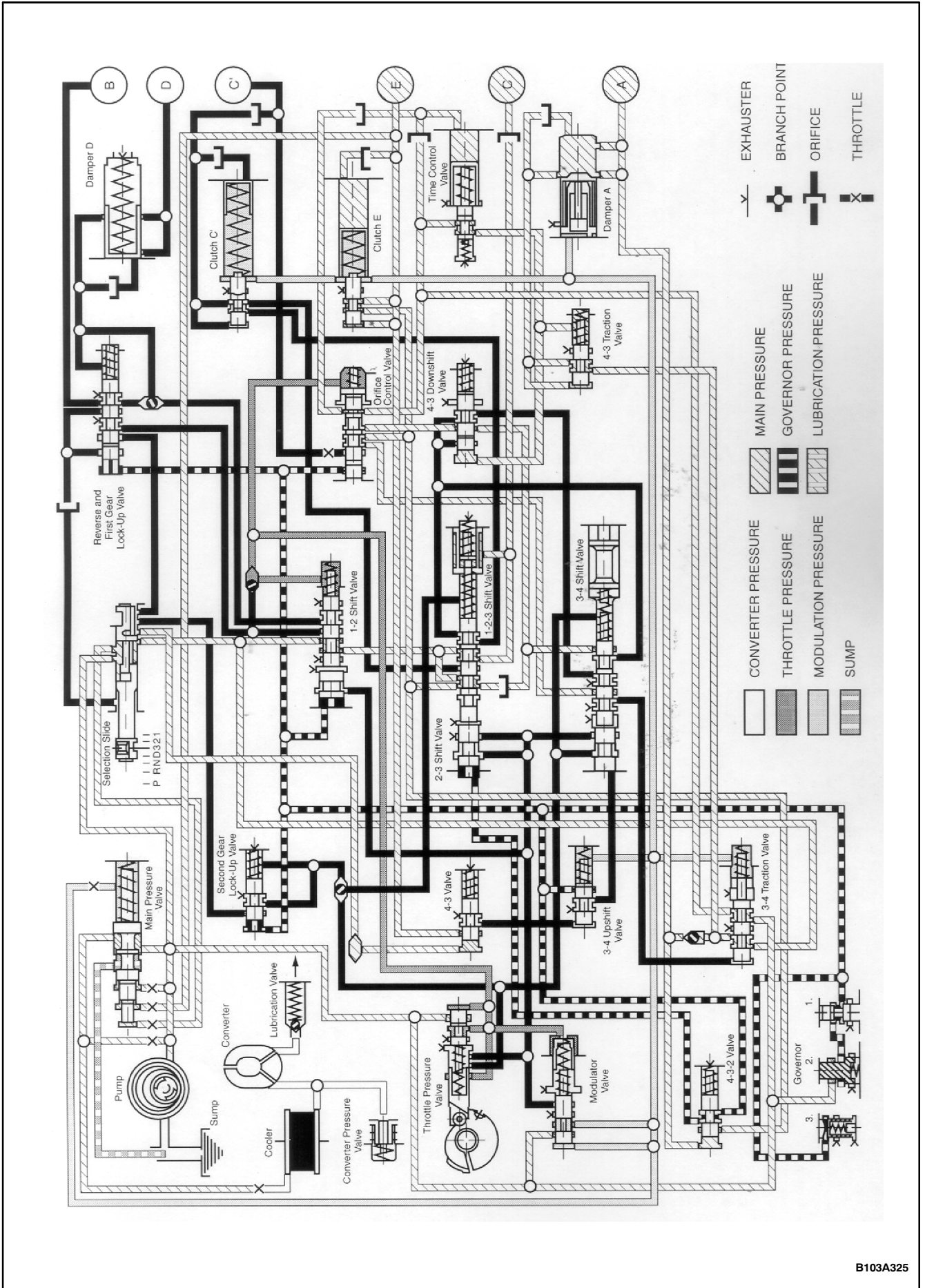
B103A323

**POSITION D - FOURTH GEAR, KICKDOWN**



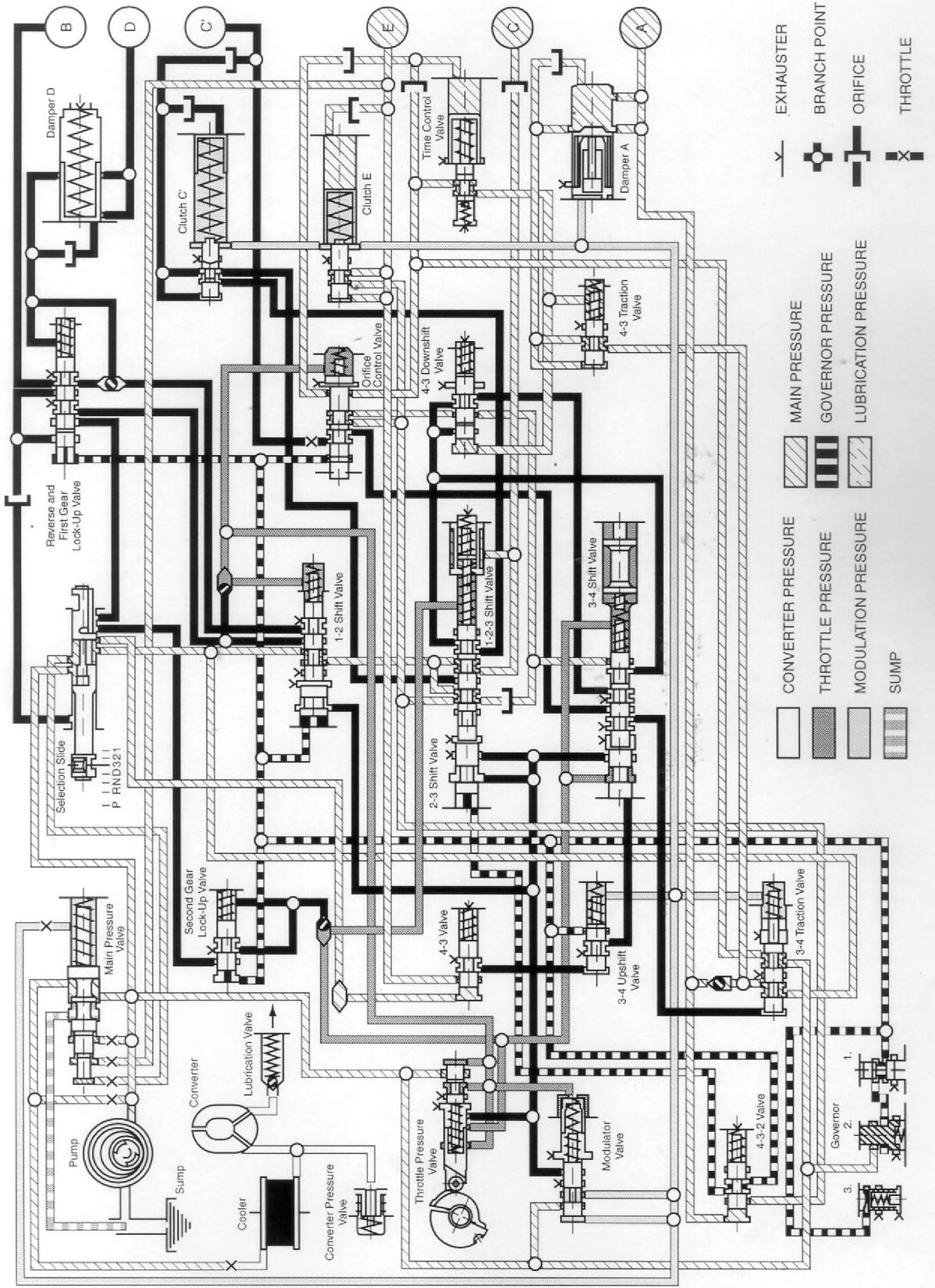
B103A324

**POSITION 3 - THIRD GEAR, IDLING**



B103A325

**POSITION 3 - THIRD GEAR, FULLY ACCELERATED**



B103A326